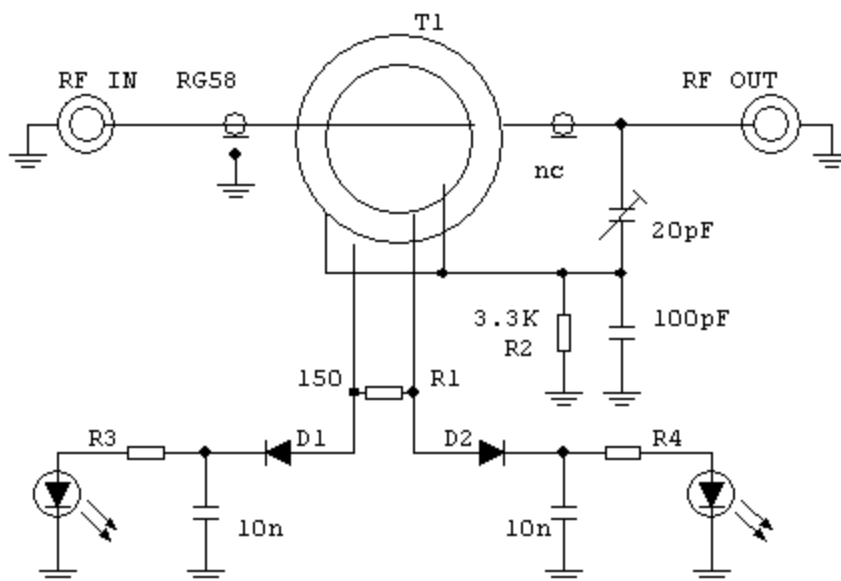
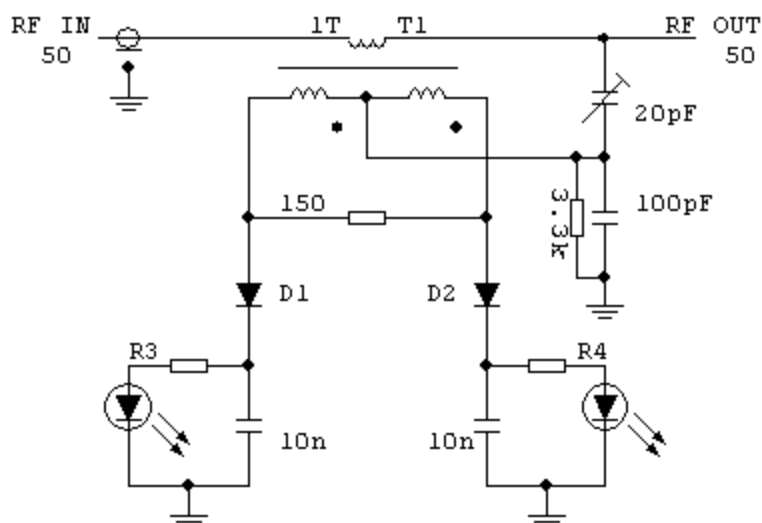


HF OPTICAL SWR METER



100W - T1 Prim 1 coax cable through Toroid.
 GND connection only on one side (IN)
 Sec: 10 bifilar Turns on FT37-43 core



R3= 2.2K R4= 4.7K D1-D2= 1N4148

11-2002/Rev 4-2011 Gian-I7SWX

FOR QRP USE DEFINE VALUES FOR:
 R3, R4, Leds maybe replaced by a 100uA meter
 with switching and adjustment potentiometer
 D1-D2 = 1N5711 Schottky diodes
 T1-Secondary increase bifilar turns to 20 or 30
 Primary may be RG174 coax cable