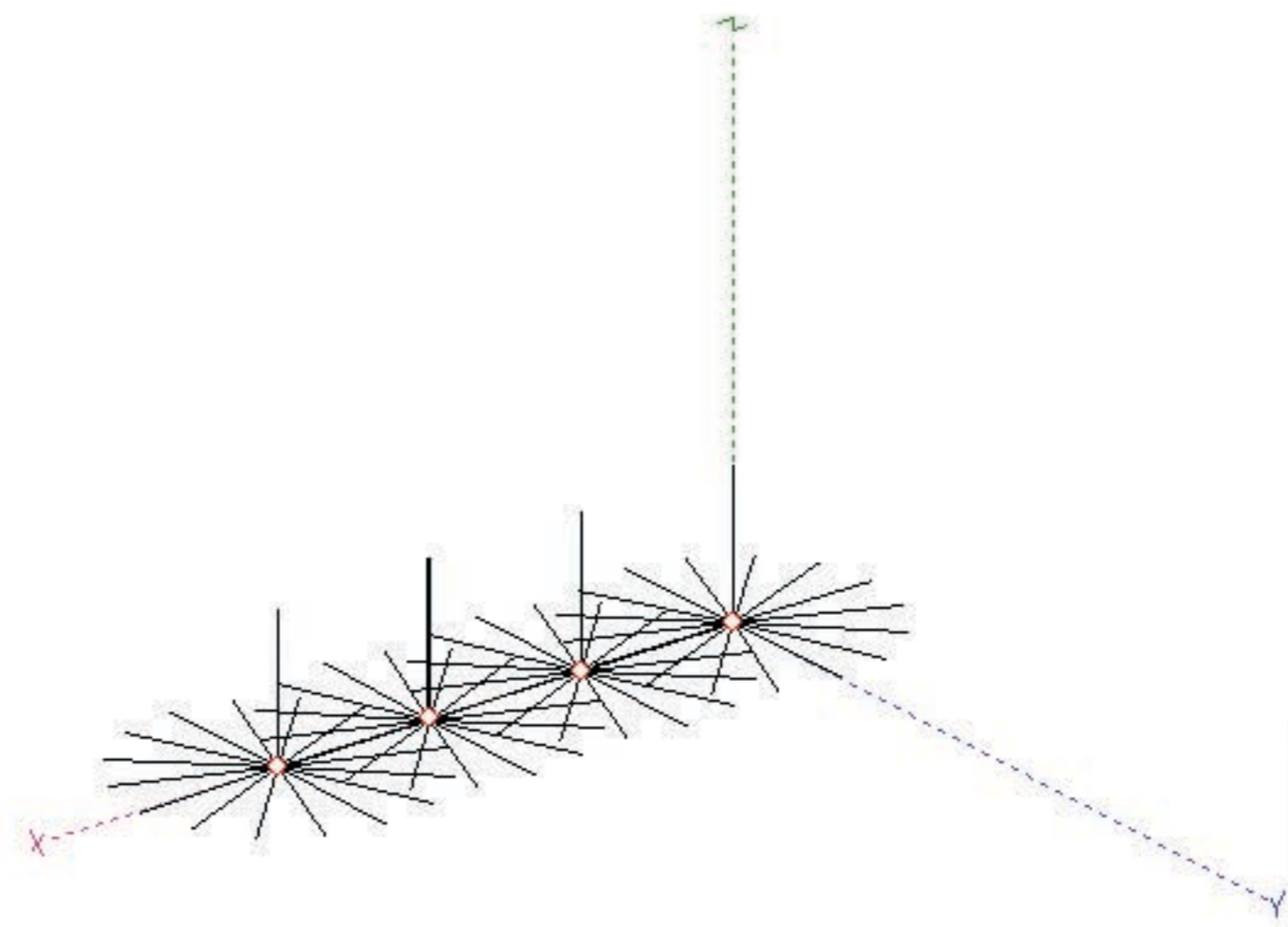
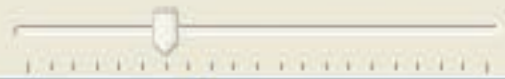


Source  
 Load



Wire No.35
X1 : 44.0 m
Y1 : 0.0 m
Z1 : 0.0 m
X2 : 44.0 m
Y2 : 0.0 m
Z2 : 20.3 m
R : 1.25 mm
Length : 20.3 m
Azim. : 0.0 deg
Zenith : 90.0 deg

Zoom currents



Currents

Segments

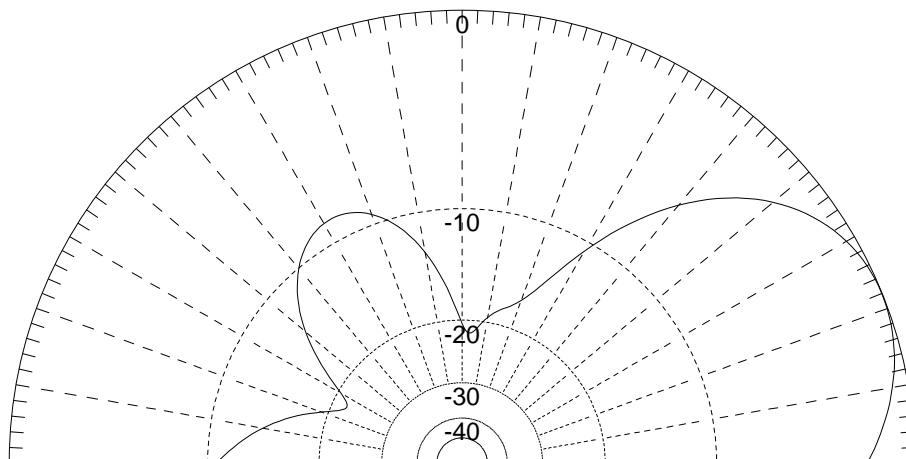
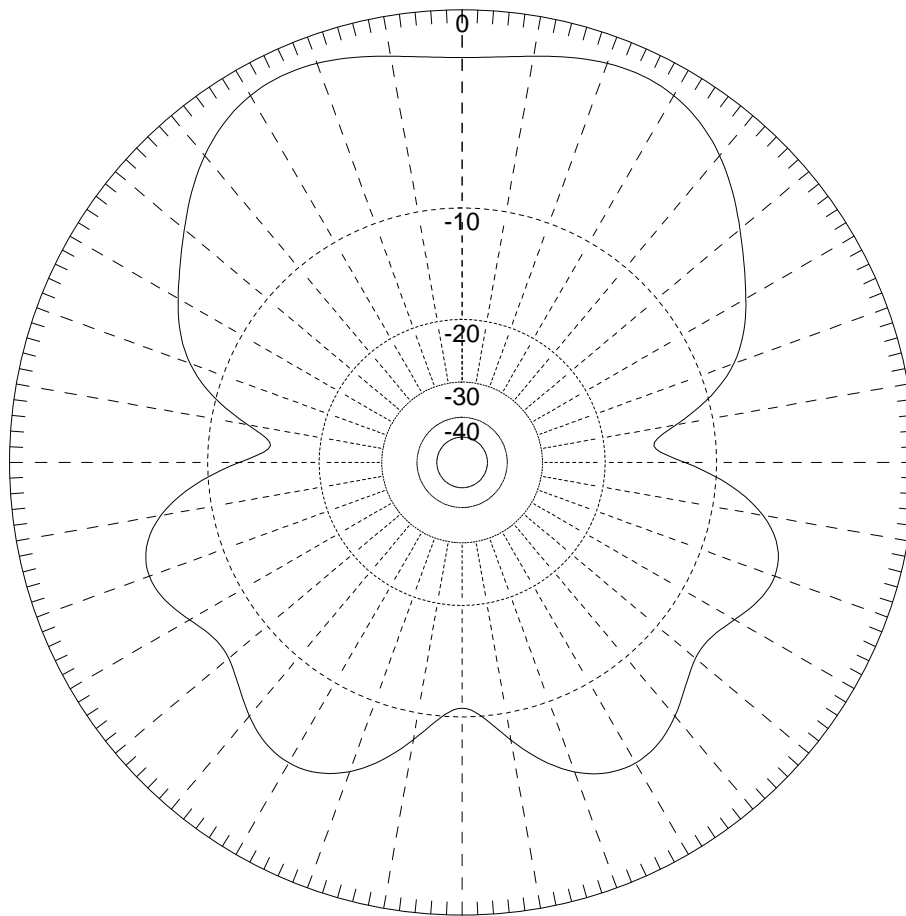
Zoom



Selected wire 35

Pen width x 2

4 verticali



Ga : 5.41 dBi = 0 dB (Vertical polarization)  
Gh : 3.26 dBd  
F/B: 2.68 dB; Rear: Azim. 120 deg, Elev. 60 deg  
Freq: 3.650 MHz  
Z: 37.893 - j3.990 Ohm  
SWR: 1.3 (50.0 Ohm),  
Elev: 21.9 deg (Free space )  
(For elev. angle 0.0 dg Peak:3.5 dBi)