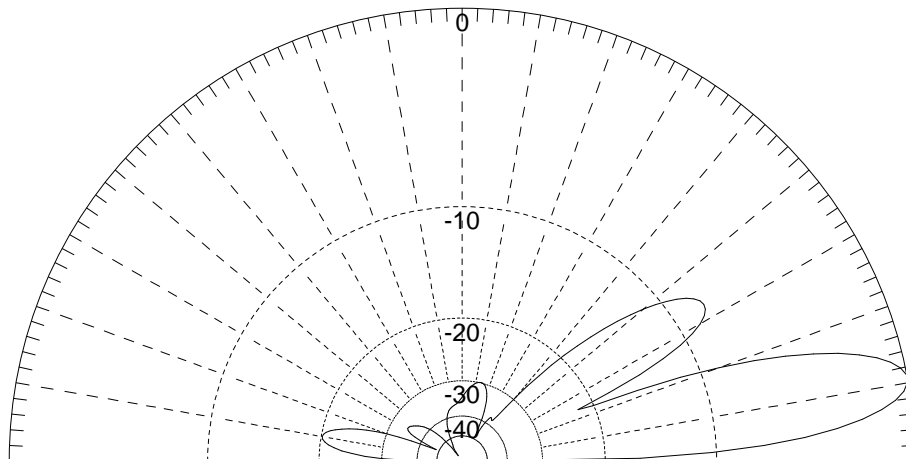
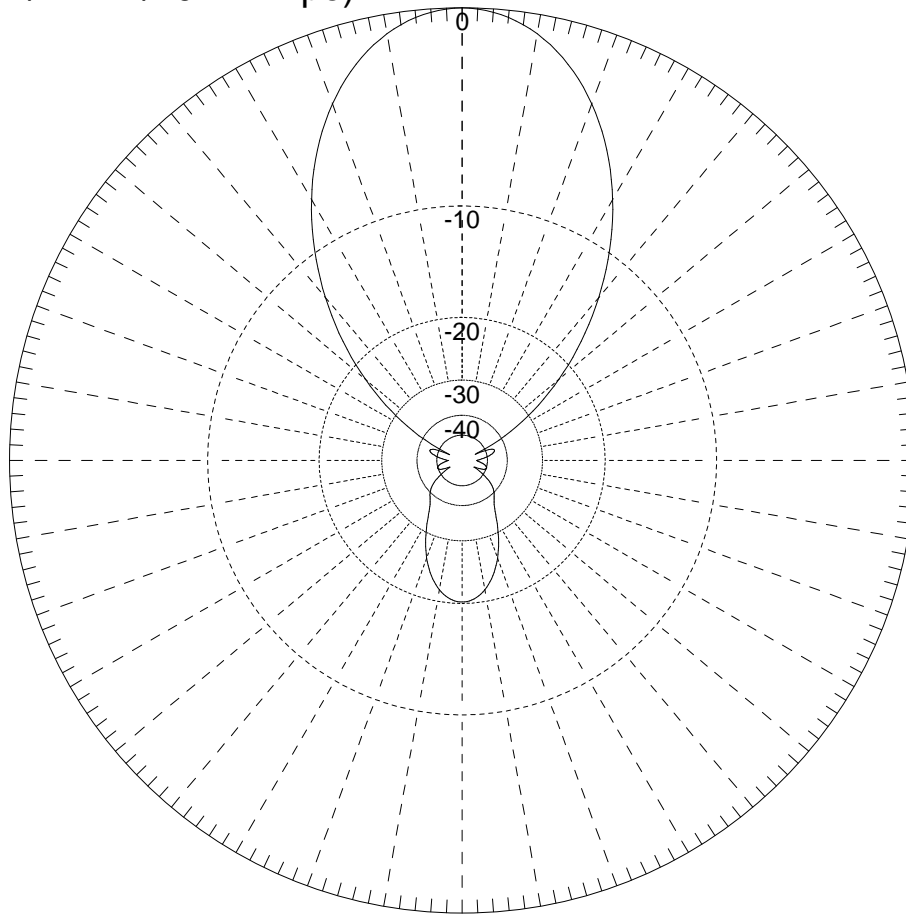


MMANA-GAL v. 1.2.0.20

4ele 10m (14mm/12mm/10mm Pipe)



Ga : 18.09 dBi = 0 dB (Horizontal polarization)
F/B: 20.13 dB; Rear: Azim. 120 dg, Elev. 60 dg
Freq: 28.500 MHz
Z: 37.084 + j6.274 Ohm
SWR: 1.4 (50.0 Ohm),
Elev: 10.6 dg (Real GND :10.00 m height)